

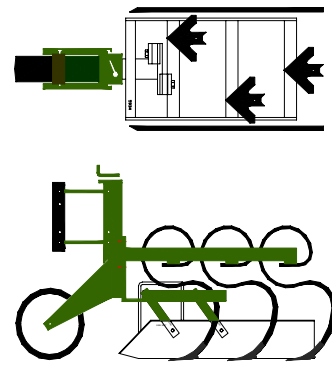
## A ROBUST DESIGN TO MEET TODAY'S DEMANDING REQUIREMENTS!

### Impressive wheel module features...

- Robust parallel linkage
- Zero pressure depth control wheel for improved operation in sticky conditions.
- Optional 10cm or 6.5cm wide depth wheels
- Simple screw adjuster for precise working depth
- A single bolt allows speedy adjustment of unit spacing.
- Optional pressure ram system transfers weight from the toolbar onto the row unit in order to improve penetration in hard conditions. The pressure ram also has a damping effect on the wheel unit and prevents skip when working at high speed.



The standard tine unit has a number of 'S' tines with 'A' shares which provide aggressive soil movement and hence a good weed kill. Crop protection shields can be fitted to prevent soil smothering young plants. Due to the floating action of the crop protection shields blockages are minimised. Frame sizes are available with 1 to 5 tines for working in row widths from 20cm to 95cm row widths.

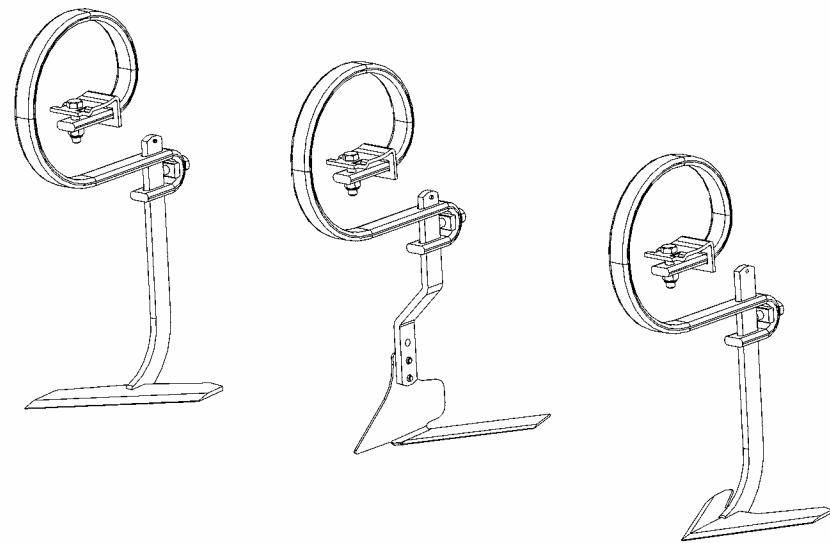


Optional special tines offer improved performance.

Flat A shares can be utilised when minimum soil disturbance is a requirement.

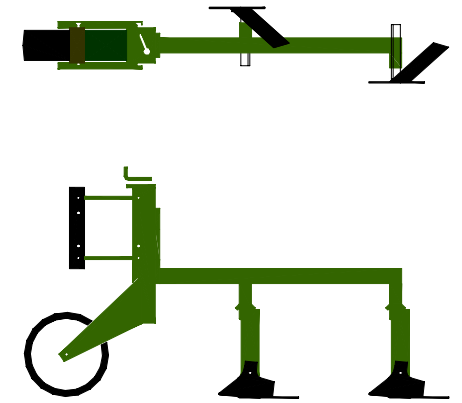
L shares provide a precise cut close to young plants and reduce the chance of weeds 'slipping' around the share.

The unique Garford Slash shares also reduce the chance of weeds slipping around the share and also offer the potential to undercut plant foliage therefore giving total control of weeds right up to the plant.



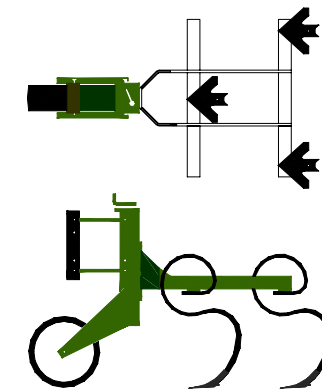
Whichever share type is chosen all benefit from spring tine mounting which gives improved operation in stoney or hard conditions and can help to shake weeds out better.

The Vegi module is designed specifically for working between narrow rows of vegetables. The rigid mounted blades are especially suited to working in narrow rows of vegetables. Optional side discs can be fitted to provide very close working but without disturbing the plants delicate roots. Side discs can also help in conditions where the soil has capped.

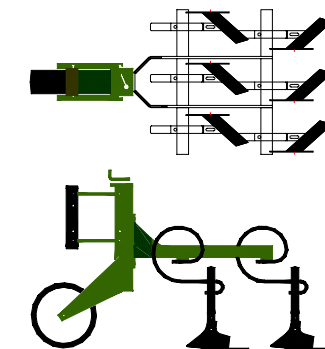


Robocrop hoeing triple beds of onions

The Cereal module is designed for narrow rows of broad acre crops. The frame places a spring tine and 'A' blade between each row of the crop. Normally one depth control unit provides cultivation between 3 rows. The 'A' blade will throw soil between the erect cereal crop to provide control of small weeds in the row.



Robocrop weeding wheat



The cereal module is also available with spring loaded 'L' shares or slash blades. This gives the advantage of adjustable cultivation strip width. Also the L shares or slash blades control some of the tougher weeds better by not allowing them to slip past as can happen with A shares.

**Special Order** - If none of our standard units are suitable for your requirements then we can produce machines to special order. Our design service will provide layout drawings in order to guarantee customer satisfaction.

## ROW FOLLOWING

Garford offer 4 different, row following solutions :-

- Rear mounted, tractor guided, with stabiliser discs.
- Front mounted, tractor steered
- Rear mounted with operator seat, mechanical or hydraulic
- Robocrop Precision Guidance System, for accuracy and speed



Manually guided beet cultivator



3 x 4mtr triple camera Robocrop



## FRAME TYPES

Garford can supply rigid or hydraulic folding frames up to 12 metre working width. Front mounted or rear mounted versions are available. A category 2 front linkage is available for frame sizes up to 6 metre.



6 metre hydraulic folding frame



9 metre folding frame 18 row

For precise, high speed hoeing nothing beats a Robocrop Precision Guided Hoe!

Garford Farm Machinery, Frognall, Deeping St James, Peterborough. PE6 8RR. England  
tel. 01778 342642 fax. 01778 348949 email [info@garford.com](mailto:info@garford.com)

# Garford



## Inter-row Cultivators & Hoes



- Quick, effective and economical weed control
- Unique share designs for optimum weed kill.
- Precise depth control via run flat tyres and parallel linkages
- Choice of frame types up to 12 metre
- Any row width accommodated
- Optional 'Robocrop' vision guidance system for precision and speed
- Hydraulic pressure down for hard soil conditions



## PRECISION WEED CONTROL IN ANY CROP