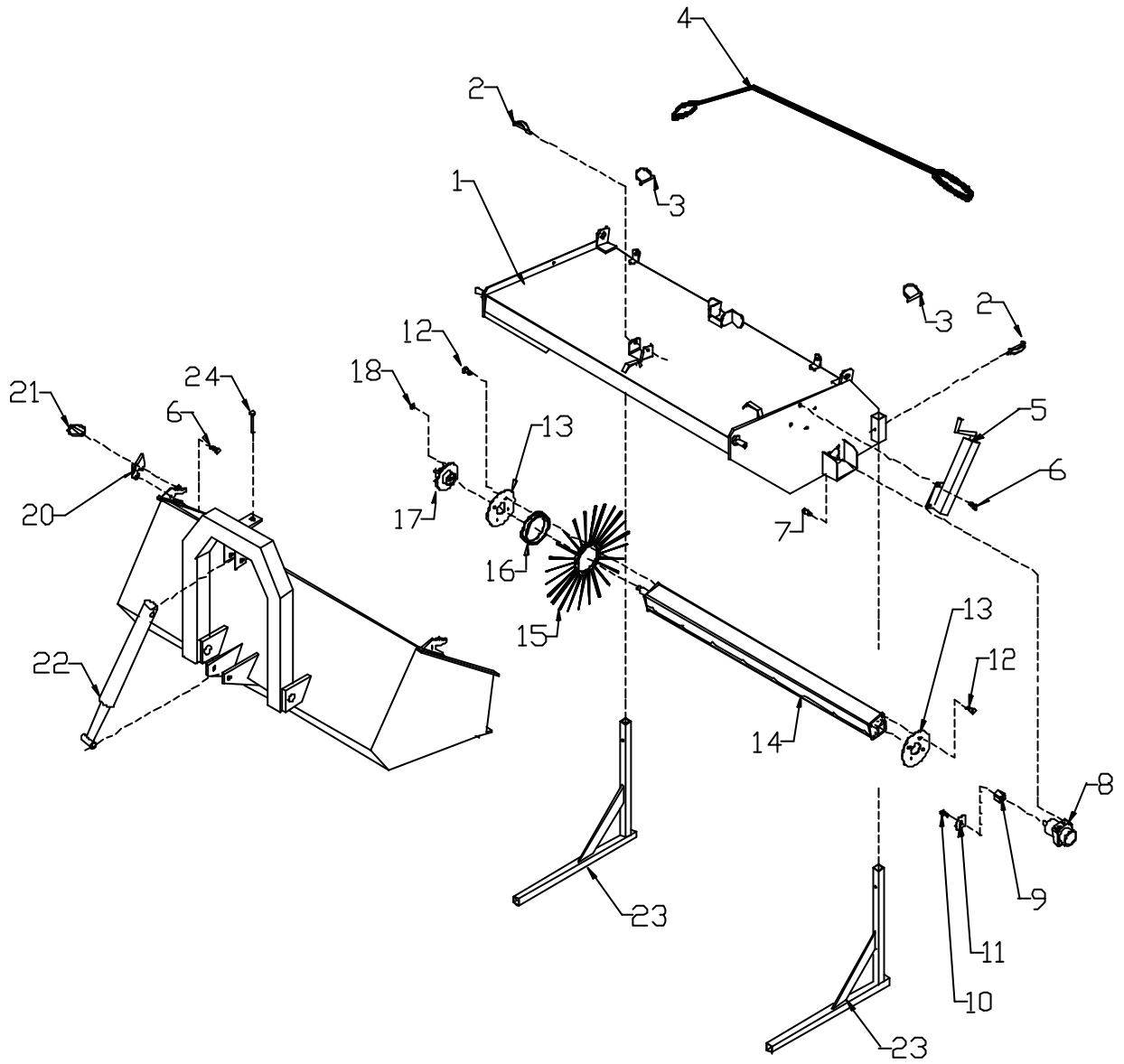




Parts List for the MAJOR range of Sweepers

Bucket Sweeper	1
Site Major	3
Road Major	5
Hydraulic Connections (for above)	7
TSC 7500	9
TSC 7500 Hydraulic Connections	11

BUCKET SWEEPER PARTS LIST



BUCKET SWEEPER PARTS LIST

Drawing No.	Part No.	Description	Quantity
1	BSW-B	Body	1
2	AGI-272	Pin	3
3	NT29D	D shackle	3
4	BSW-STR	Strap	1
5	BSW-JAC	Jack Adjuster	2
6	M12x30BZP	Bolt & Nyloc Nut	10
7	M10x30SK	Motor Mount Bolts	4
8	OMPW160	Hydraulic Motor	1
9	SWP-HEX	Hex Drive Bar	1
10	M8x25S	Hex Drive Bar locking Bolt	1
11	FWM8EX	Flat Washer	1
12	M12X30BZP	Disk Locking Bolt	8
13	BSW-BDSK	Disk	2
14	SW-BC6	Brush Core 6000 model	1
	SW-BC7	Brush Core 7000 model	1
15	SW-BW	Brush Section (Wire)	47
	SW-BP	Brush Section (poly)	
16	SW-BS	Brush Spacer	47
17	20040	Bearing Housing	1
18	22204	Nut	4
20	BSW-S-SL	Latch	2
21	AN099/10	Lynch Pin	2
22	CA-RAM	Bucket Ram	1
23	BSW-SS	Legs	2

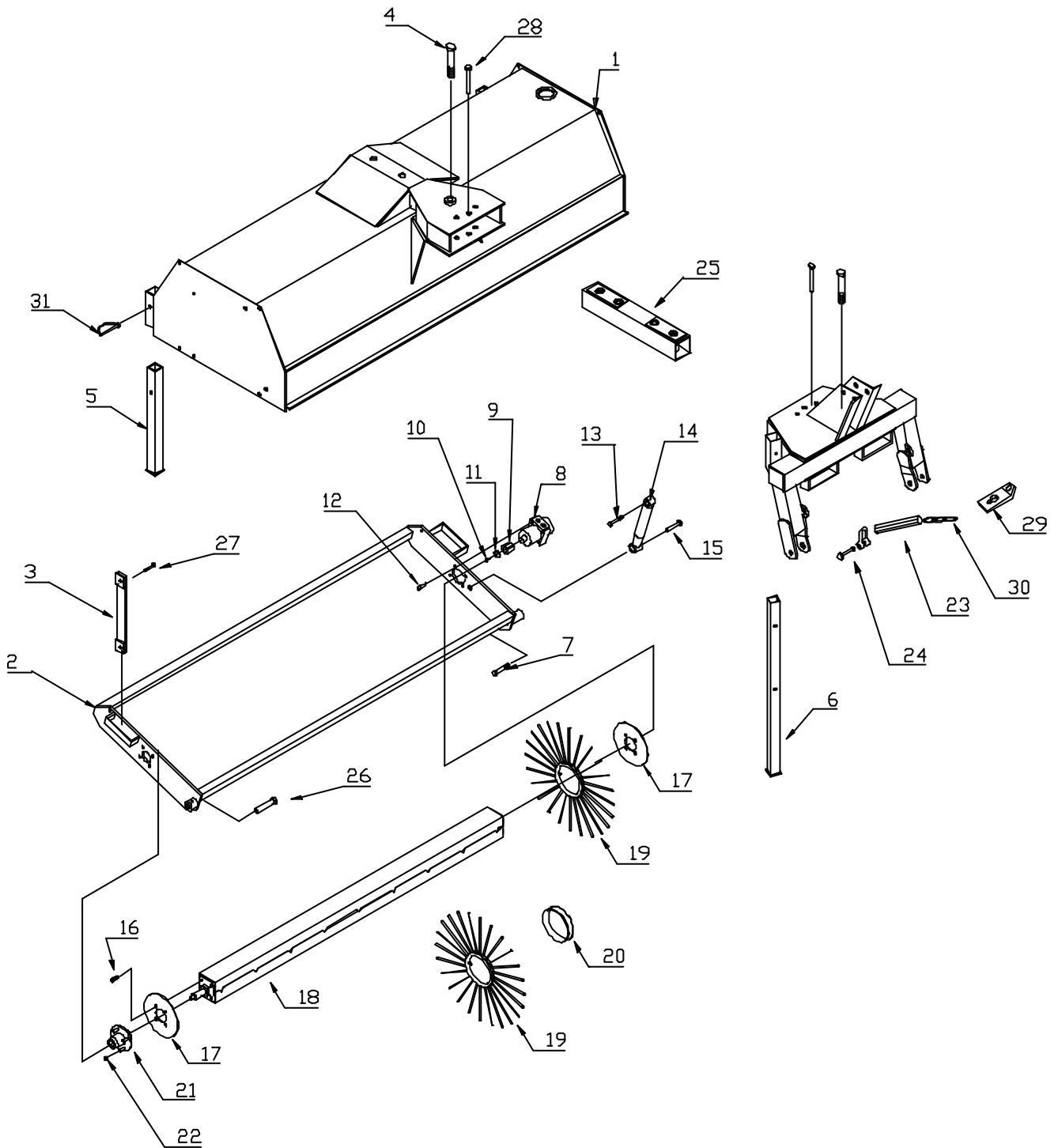


SITE MAJOR SWEEPER PARTS LIST

Drawing No.	Part No.	Description	Quantity
1	JSW-B	Body	1
2	JSW-DF	Dust Flap	1
3	JSW-DC	Dust Flap Clamp	1
4	JCB-LAT	Latch	2
5	JSW-JAC	Jack Adjuster	2
6	M12x30BZP	Bolt & Nyloc Nut	10
7	M10x30SK	Motor Mount Bolts	4
8	OMPW160	Hydraulic Motor	1
9	SWP-HEX	Hex Drive Bar	1
10	M8X25S	Hex Drive Bar locking Bolt	1
11	FWM10	Flat Washer	1
12	M12X30BZP	Disk Locking Bolt	8
13	BSW-BDSK	Disk	2
14	SW-BC7	Brush Core	1
15	SW-BW	Brush Section (wire)	47
	SW-BP	Brush Section (poly)	
16	SW-BS	Brush Spacer	47
17	20040	Bearing Housing	1
18	22204	Nut	4
19	AN099/10	Lynch Pin	2



ROAD MAJOR SWEEPER



ROAD MAJOR PARTS LIST

Drawing No.	Part No.	Description	Quantity
1	RMJ-B	Body	1
2	SC70-FGA	Brush Frame	2
3	7SS-STO-EL	Frame Guide	2
4	1x8FBZP	Bolt & Nyloc Nut	2
5	7SS-LEGR	Short Leg	2
6	7SS-LEGF	Long Leg	1
7	M20x150BZP	Bolt	2
8	OMPW160	Hydraulic Motor	1
9	SWP-HEX	Hex Drive Bar	1
10	M8X25S	Hex Drive Bar Locking Bolt	1
11	FWM8EX	Flat Washer	1
12	M10X35SK	Motor Mount Bolt	8
13	M16X	Bolt & Nyloc Nut	1
14	V1098	Damper	1
15	M20x110	Bolt & Nyloc Nut	1
16	M12x30BZP	Bolt	1
17	BSW-BDSK	Disk	2
18	7SS-BFB	Brush Core	1
19	SW-BW	Brush (Wire)	47 (total)
	SW-BP	Brush (Polypenco)	/
20	SW-BS	Brush Spacer	47
21	20040	Bearing Housing	1
22	22204	Nut	4
23	E5338	Turnbuckle	2
24	NT29D	'D' Shackle	6
25	7SS-SWB	Swivel Box	1
26	M12x35BZP	Bolt & Nyloc Nut	2
27	M12x40BZP	Bolt & Nyloc Nut	4
28	S2632	Swivel Pin	2
29	7SS-CHA	Chain Adjuster	2
30	SS-chain	Weight chain	2
31	AG-272	Lynch Pin	3



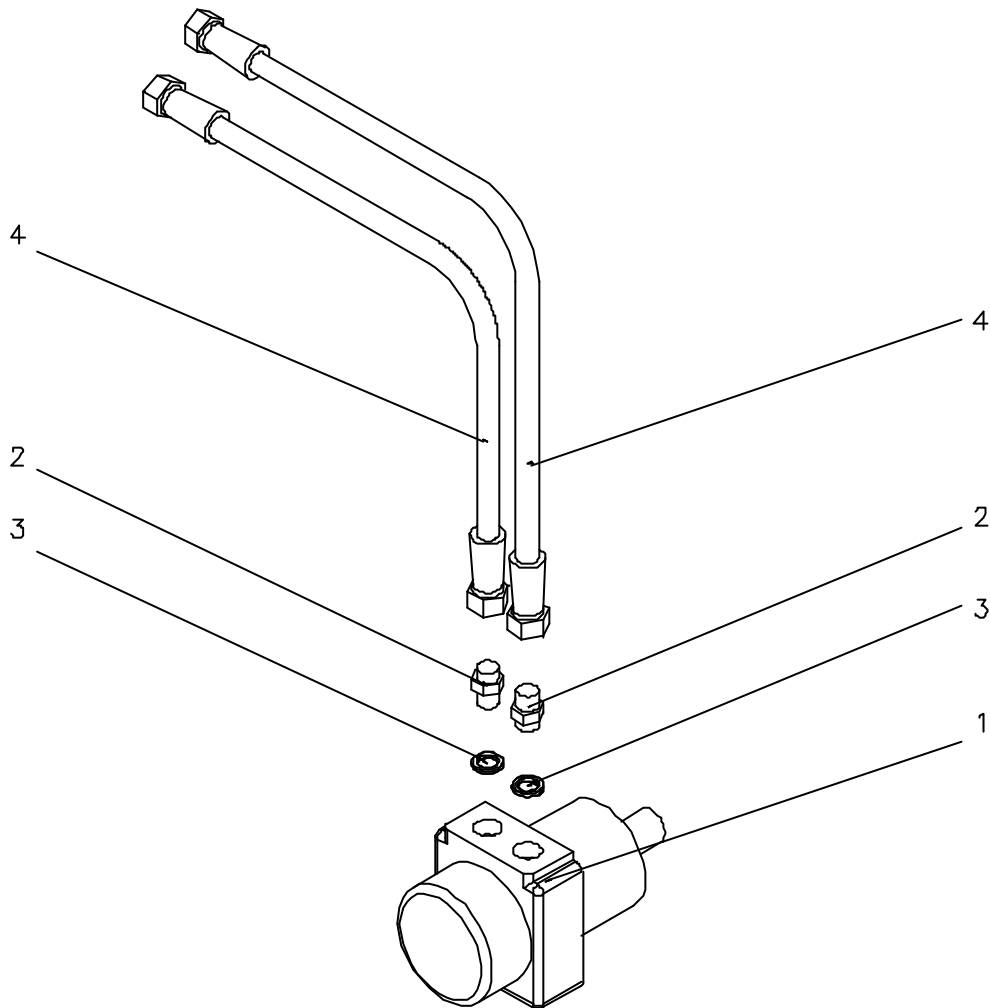
HYDRAULIC HOSE CONECTION

For the

? BUCKET SWEEPER

? SITE MAJOR

? ROAD MAJOR



HYDRAULIC MOTOR HOSE CONNECTION

For the

- ?? BUCKET SWEEPER
- ?? SITE MAJOR SWEEPER
- ?? ROAD MAJOR SWEEPER



Drawing No.	Part No.	Description	Quantity
1	OMPW160	Hydraulic Motor	1
2	EMM12	Male / Male Connector	2
3	EDOW1/2	Dowty Washer	2
4		Hydraulic Hose	2
	MH13	6000 & 7000 Bucket Sweeper	
	MH13	Site Master	
		Road Major	

 **WARNING** 

DO NOT GO NEAR LEAKS

- ?? High Pressure oil easily punctures skin causing serious injury, gangrene or death.
- ?? If injured, seek emergency medical help. Immediate surgery is required to remove oil.
- ?? Do not use finger or skin to check for leaks



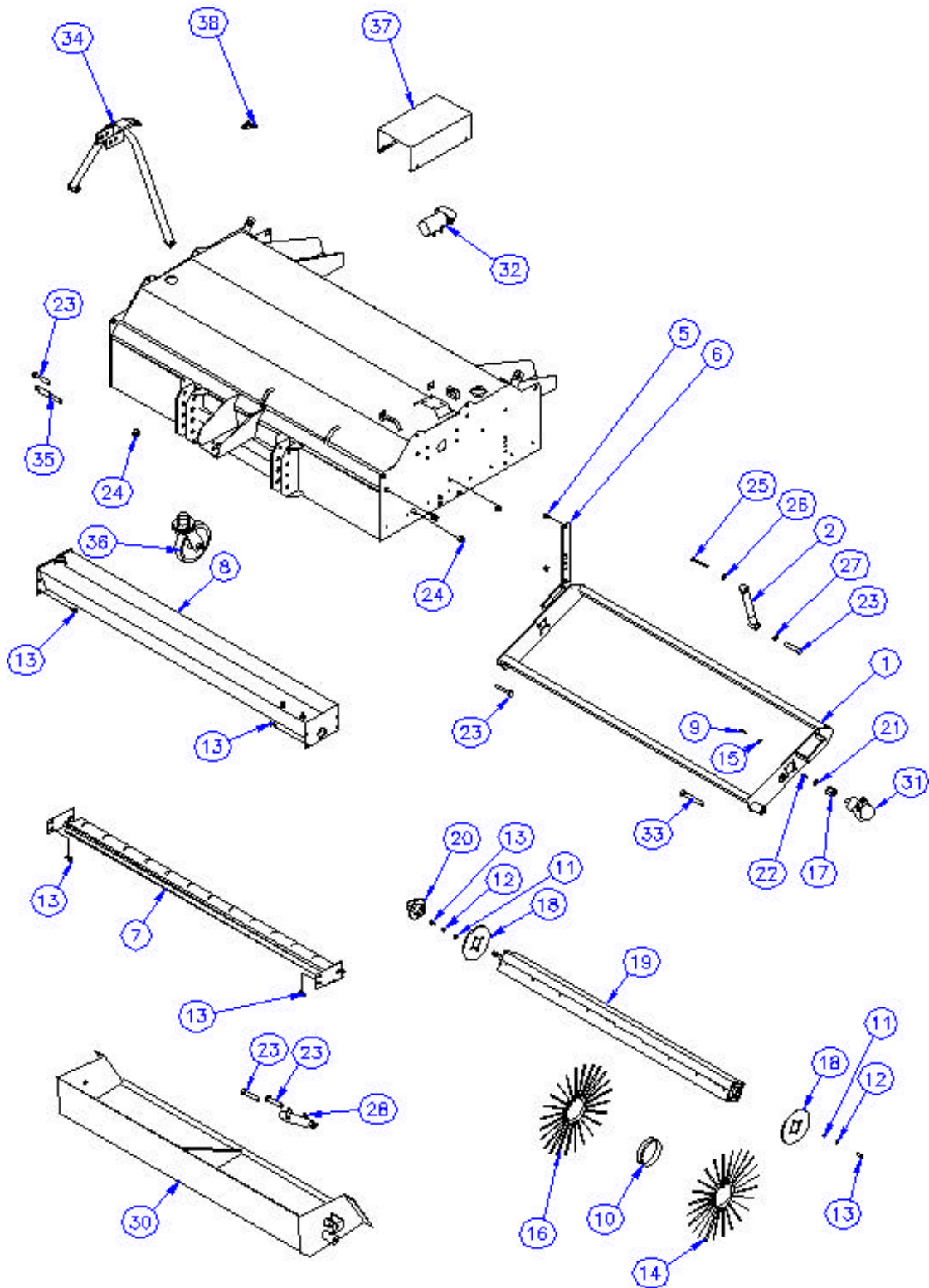
IMPORTANT

Lower load or relieve hydraulic pressure before loosening fittings



TSC 7000 SWEEPER

3



TSC7500 PARTS LIST

No	Part No	Description	QTY
1	SC70-FGA	Brush Frame	1
2	V1098	Damper	1
3			
4	SC75-B	Sc7500 Body	1
5	12T-BBS	Overlap Blade Back Spacer	4
6	SC75-GUI	Tsc 7000 Brush Frame Guide	2
7	SC75-BL	Sweeper Blade	1
8	SC75-TGA	Sc7500 Water Tank	1
9	M10X35SK	Bolt (allen key head)	4
10	SP6W	6" Brush Spacer	2
11	FWM12	Flat Washer	8
12	SWM12	Spring Washer	8
13	M12X30S	Bolt	22
14	WR51G	6" Wire Section Brush	2
15	SWM10	Spring Washer (Heavy)	4
16	PR52	Poly Section Brush	1
17	BSW-HEX	Hex Bar Drive	1
18	BSW-DSK	Brush End Disk	2
19	SC-BC7	Brush Core	1
20	20040-X	Wheel Hub	1
21	FWM8EX	Wide Washer	1
22	M8X25S	Set Bolt	1
23	M20X110B	Bolt	8
24	M20	Nyloc Nut	10
25	M16X110B	Bolt	1
26	FWM16	Flat Washer	1
27	FWM20	Flat Washer	1
28	SC75RAM	Sc7500 Ram	2
29	M12	Nyloc Nut	14
30	SC75-BUK	Sc7500 Bucket	1
31	OMPW160	Hydraulic Motor	1
32	SHUR-50	Water Pump	1
33	M20X150B	Bolt	3
34	GM2	Std 'A' Frame	1
35	S15707	Cat I/II Lower Link Pin	2
36		Castor Wheel	3
37	SC75-PC	Water Pump Cover	1
38	NT29A	'D' Shackle	3

